

Back ○ Flat Cable Connectors SEK

○ *har-mik®*

○ D-Sub

○ InduCom

● **Applications**

Product details

09 67 509 7615

D-Sub IP 67 PCB connector

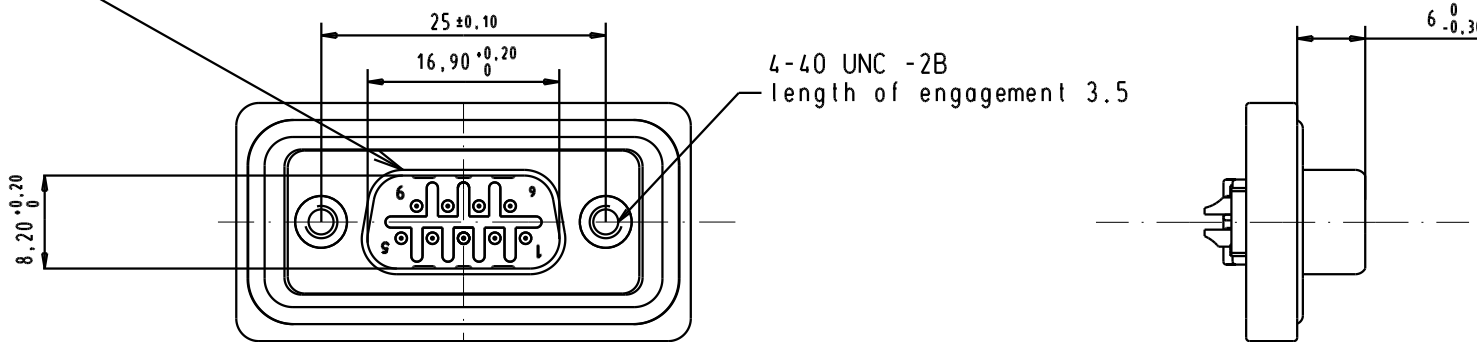
Gender	Male connector, straight
Protection level	IP 67
Termination	turned solder cups
Number of contacts	9
Shell	tinned metal shell with dimples
Flange	Rear blind nut UNC 4-40
Performance level	S4 (0,76 •m Au min)
Insulation material	Thermoplastic, glass-fibre filled, UL 94-V0
Mounting frame	rear plastic mounting plate
Frame material	Thermoplastic, glass-fibre filled, UL 94-V0
Sealing ring	Silicone, glued on frame
RoHS compliant	Yes

Inquiry

Available Downloads

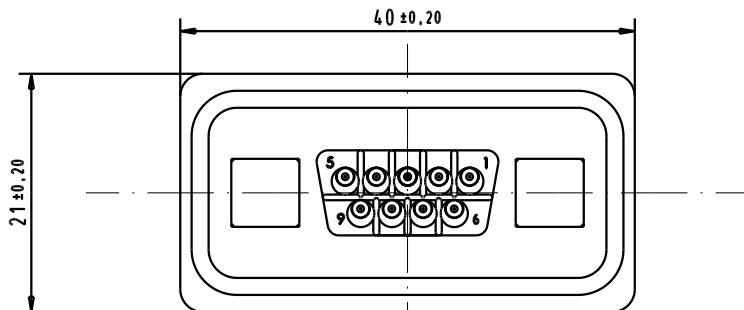
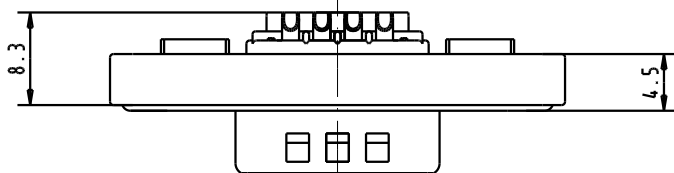
Title	Format	
Data sheet	PDF	download

Mating face according to : MIL-C-24308 / DIN 41652 / CECC 75.01-802



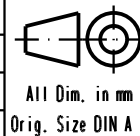
1) Protection standard IP 67 according to IEC 529 / DIN 40050.

2) Cable: AWG 20 max



09 67 509 7615	Au plating 0,76 μ m mini
Part Number	Performance Level

			Dat.	Name
			10/10/03	S.H.
31559	10/10/03	S.H.	HARTING ELEKTRONIK F-95972 Paris	
Mod.	Dat.	Name		



All Dim. in mm
Orig. Size DIN A 4

D-SUB IP67 male 9 Poles
straight solder cup with
4-40 UNC nut

Maßstab/
Scale

TB 09 67 509 7615

Sub.

Blatt/ Page



D

C

B

A